



## Assembly instructions

### Delta Green

#### Facing element for green steep slopes

These assembly instructions apply only for **DELTA GREEN** facing elements  
made by Rothfuss Best Gabion GmbH & Co. KG

#### SAFETY RULES

- Protective equipment such as protective gloves and safety boots must be worn during all work
- CAUTION! Risk of falling during work.
- Do not climb on the Rothfuss Delta Green Facing element system!
- Do not use the Rothfuss Delta Green Facing element system as a monkey bar!
- CAUTION! Wire could be sharp and sharp-edged!
- Make sure that no sharp metal ends protrude from the construction.
- Risks have to be assessed and corresponding protections to be taken.

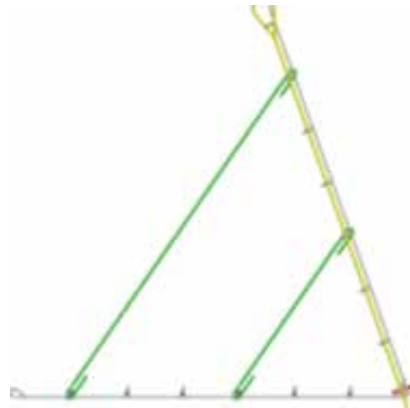
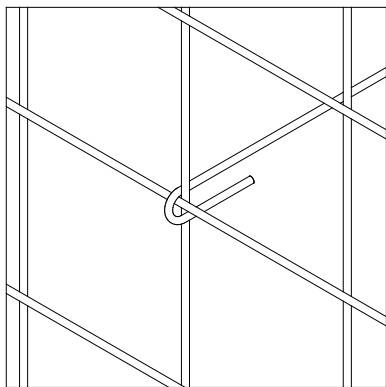
#### NOTE

- The following illustration refers to a standard element with 70° inclination and applies analogously for 60° inclination.
- The illustration restricts to the exposition of the facing area.
- Decisive for your project are always the project-specific proof of stability as well as the engineering drawings and the exposition of the reinforcement connection.

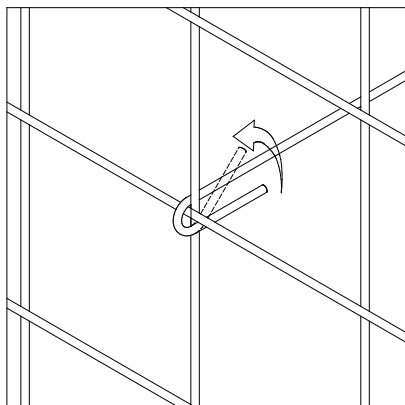


## Installation Steps 1-12

1. Prepare and finish a load-bearing level and foundation according to static requirements.
2. Connect the Delta Green front grid and bottom grid with the locking rod. During this step mount the erosion control mat. The erosion control mat has to be hung on the protruding wire ends of the front grid and pulled down behind the front grid. At the transition to the bottom grid, the erosion control mat has to be fixed with the locking rod and led over the bottom grid to the rear. Please ensure to a sufficient overlap. Place and align pre-assembled Delta Green elements.
3. Lift up the front grid and hook in the stay rods at intervals of 40 cm (Stay rod position : 10, 50, 90, 130, 170, 210, 250, 290 cm).



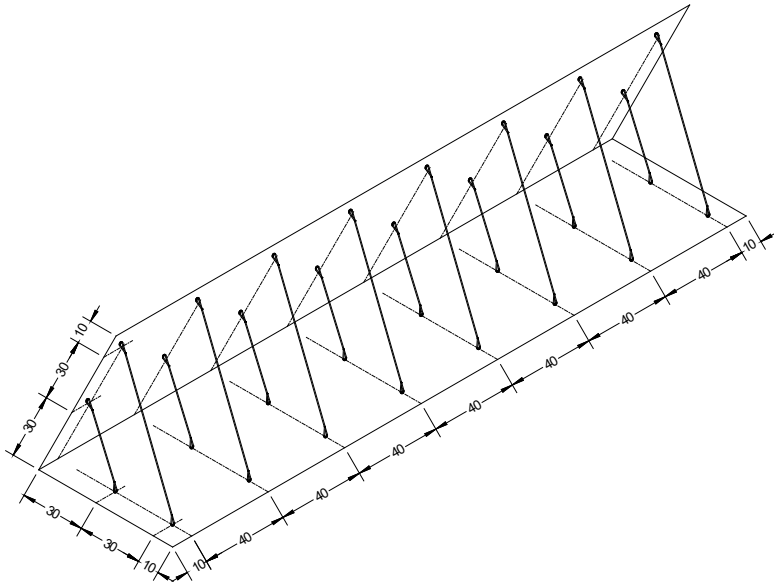
Stay rods must always be fitted diagonally across a mesh crossing.



After the stay rods have been hooked in, bend them to a closed eyelet by using the supplied spacer tube (bending angle 250 °)



Hook in the stay rod to the bottom grid with the same distance from the connection joint (analog to front grid). Again, stay rods must always be fitted diagonally across a mesh crossing.

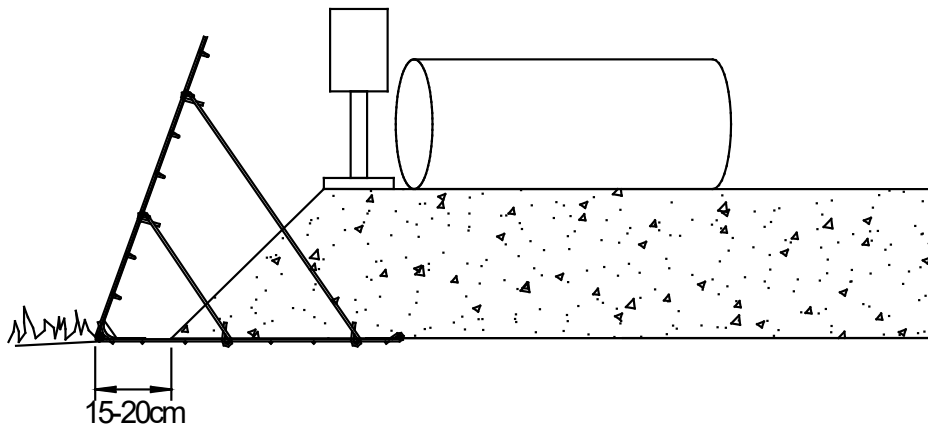


Now the front grid will not flap down anymore.

4. Connect bottom and front grid with the adjacent element sidewise with locking rod.
5. Cut and install geogrid (reinforcing element) according to statics and engineering drawings. The statically effective connection must be verified by the structural analysis and test report. Since there are various options of statically effective connections of geogrid and Delta Green elements, it is essential to respect the specifications in the structural analysis and in the test report.
6. Please respect the assembly instructions of the manufacturer of the geogrid.  
Attention : Do not drive directly onto the geogrids.



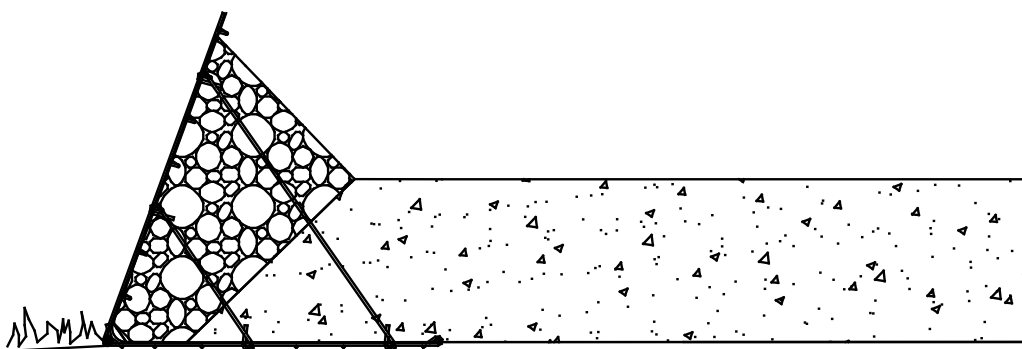
7. Fill in filling soil in layers of approx. 30 cm (filling soil has to be according to specification of the construction documents) and compact it by means of appropriate device in accordance with the requirements of the execution planning. The ZTVE-StB (Additional Technical Terms of Contract and Guidelines for Earthworks in Road Construction) have to be respected.



Compacting with rammer and heavy equipment

Please make sure that soil is backfilled up to a distance of 15 to 20 cm to the front grid.

8. Fill in filling soil in front area and compact by means of appropriate device (hand or motor rammer with a small base plate).



Please make sure that the filling soil of the front area is backfilled free of cavities and is pending closely to the erosion protection mat.



The soil condition in the front area has to be on the one hand stable compacted, and on the other hand, with low cohesive fines, so that vegetalization may be successfully done.

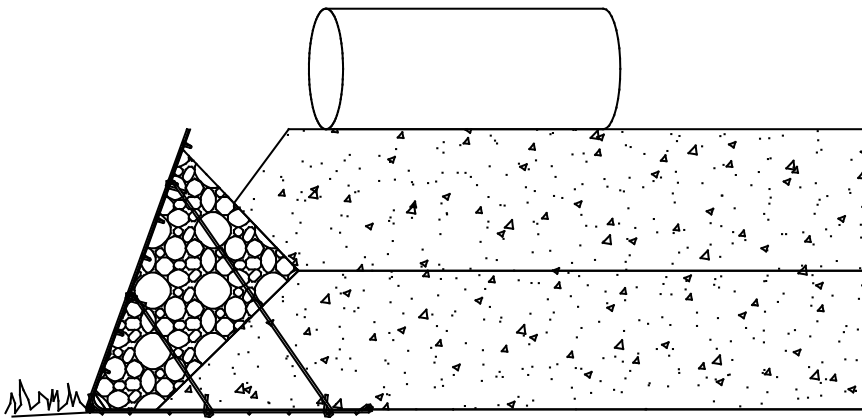
#### NOTE

Pure gravel and ballast fillings are difficult to start greening.

Pure topsoil is not stable compressible and therefore unsuitable.

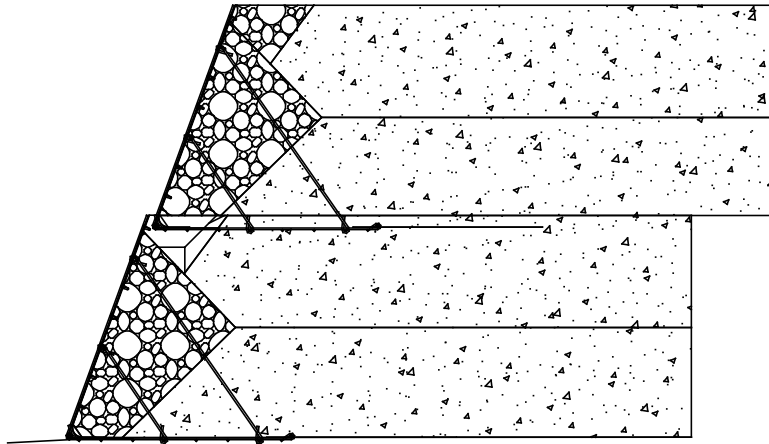
**In the run-up, please coordinate with an experienced greening company.**

#### 10. Fill in the next layer



11. If a Delta Green element row is completely mounted with the reinforcement elements and the filling soil, the next, above lying element row may be mounted in the same way.

Please ensure that the contact area of the overlying Delta Green element row is horizontal. Otherwise the planned inclination of the wall would be changed.



12. Please ensure, when setting up the overlying element row, that the elements are set back approx. 2 cm and mounted approx. 3 cm below the upper edge of the underlying front grid.

Simultaneously - as a result - the intended oblique visible surface of 300 x 70 cm per element will be achieved.

The number of layers and the dimensions of the geogrids reinforcement are to be found in the execution planning and execution static.

### Disclaimer

Our assembly instructions for DELTA GREEN in word and picture are provided best of our knowledge and belief. It does not relieve the user/contractor of the responsibility to examine the supplied products for their suitability of the intended procedures and purposes.

Application, use and processing of the products are beyond our control and are therefore exclusively in the area of responsibility of the user/contractor.