



Assembly instructions for WVK - Facade cladding with gabions

These assembly instructions apply only for WVK - wall cladding system
made by Rothfuss Best Gabion GmbH & Co. KG

Please read these instructions once completely before beginning with the individual steps.

General Note

Required Experience for the construction of gabions have to be the following conditions:

- Safe handling of tools and machines as well as with ladder and scaffold
- Knowledge in the field of accident prevention, work safety and operational safety
- Experience in the field of transportation and use with heavy and bulky components

If the above mentioned required experience is nonexistent or in case of uncertainty, please contact an expert or instruct a specialist company.

Safety Rules

- The Rothfuss Best Gabion wall cladding system may only be installed on sufficiently load-bearing walls and according to the assembly instructions!
- Do not climb on the Rothfuss wall cladding system!
- Do not use the Rothfuss wall cladding system as a monkey bar!
- Protective equipment such as protective gloves and safety boots must be worn during all work
- CAUTION! Wire could be sharp and sharp-edged!
- CAUTION! Risk of falling during work.
- Risks have to be assessed and corresponding protections to be taken.



1. Prerequisites

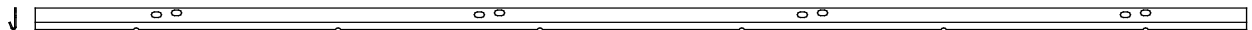
The wall must be able to bear the expected load. Please note that it may be necessary to obtain an authorised and validated structural analysis before the start of assembly work.

2. Mounting the suspension rails to the wall

In the standard version, the suspension rails are fixed directly to the wall using heavy-duty-anchor bolts.

Please align the lowest row of rails with a spirit level and affix them using the supplied heavy-duty anchor bolts (FAZ A4 M8x80 or equivalent). The rails have a standard length of 3m.

Four fixing points are required per rail.



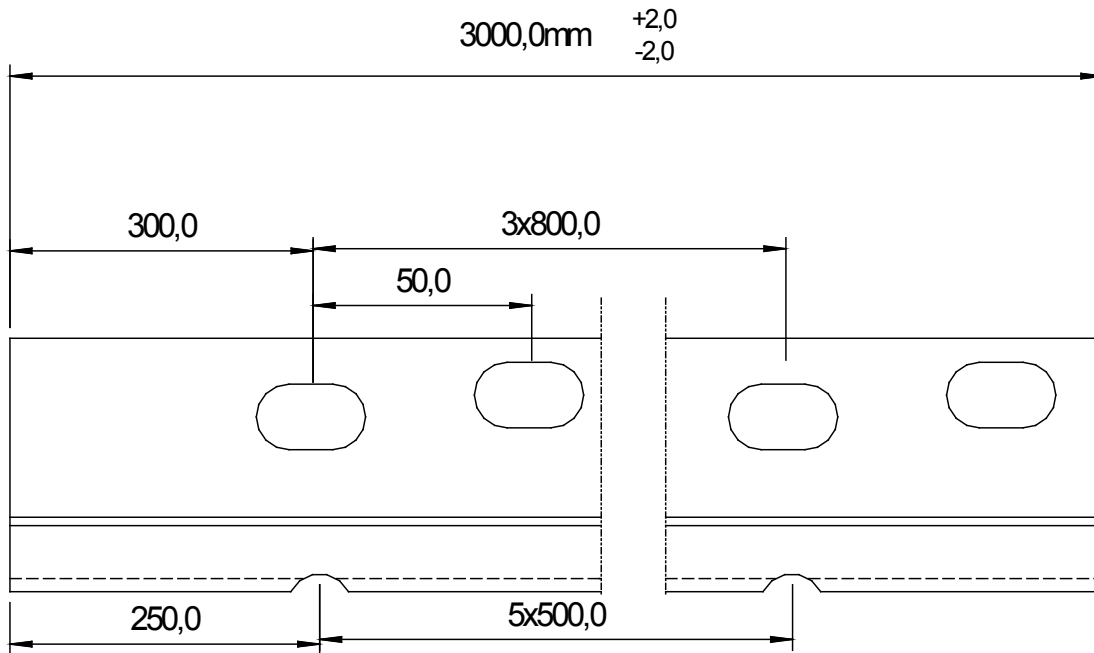
The attachment holes have a clearance of 8.0 mm (horizontal direction) and 2.5 mm (vertical direction). This allows you to compensate drill hole differences.

The suspension rail still has a second, upwardly offset row of boreholes. These holes can then be used when you come across a reinforcement and thus another hole position is required.

Please ensure that the largest hole clearance is not more than 80 cm.

If needed the cutting of the 3m rails to shorter rail sections is possible.

If so the shortest rail must be slightly larger than the prefabricated hole clearance.



If needed it is possible to drill further suitable holes by yourself to create even smaller rail sections.

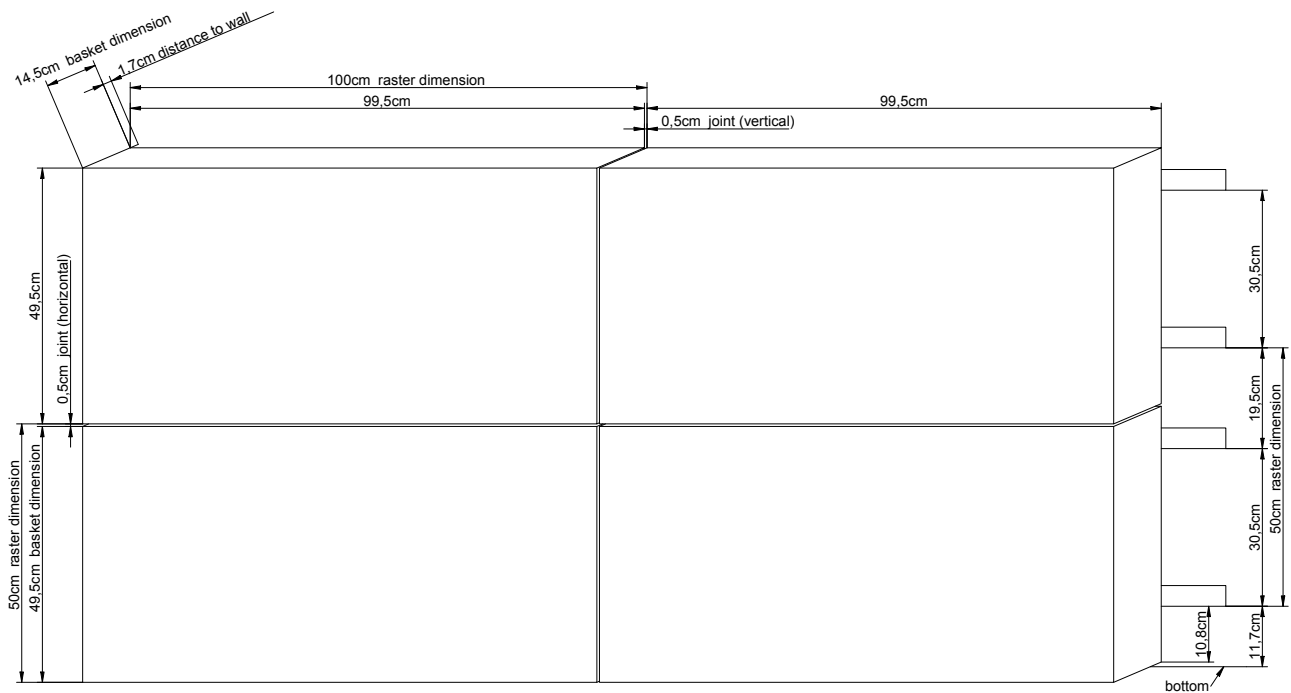
3. Hanging the baskets

Once the first row of rails are mounted, the rows above may be mounted by means of a template.

The wall cladding baskets are supplied as completely assembled baskets. No component parts have to be added on site.



Image : Raster and mounting dimensions for hanging wall cladding without insulation

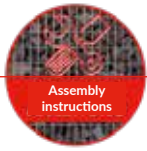


4. Stone material

Screening 63/125mm proved to be a suitable grain size.

During the screening of the stones, the grain size may never be produced accurately. The proportion of small and larger stones is therefore about 10 - 20%. Usually the larger stones may as well be packed into the basket without a problem.

The smaller stones may be used in the upper edge area of the basket to achieve the best possible plane closure of the basket upwards.



5. Stone filling

The stone filling has to be done in layers. Take care that no larger cavities are formed. The visible surface has to be achieved uniform and as gapless as possible. The baskets have to be filled completely and close-fitting to front and rear grids to avoid settlement. In direct consequence the grids should be slightly tensed up.

The upper edge area of the basket has to be filled as plane as possible to avoid that on the one hand the overlying baskets do not rest and transfer load on them and on the other hand no gaps appear in the overall view.

6. Transport and handling

When transporting and handling, take care that the baskets are not shaken or subjected to strong impacts, otherwise bulging or ripples may occur on the surface.

If settlement of stone filling occurs during transport or handling, the baskets must be refilled before or after hanging on the wall until a uniform overall view is ensured.

7. Joint pattern

The joint pattern can basically be chosen freely. Due to their construction adjacent baskets may be aligned either gapless or with joint.

8. Suspension

Ensure that all suspension hooks are correctly mounted in the V-rails.

9. Final row

Due to the narrow distance of joint between the baskets, no basket lid is required. If necessary, additional close-off lids can be ordered for the upper row (for an extra charge).

Disclaimer

Our assembly instructions for wall cladding system WVK in word and picture are provided best of our knowledge and belief. It does not relieve the user/contractor of the responsibility to examine the supplied products for their suitability of the intended procedures and purposes.

Application, use and processing of the products are beyond our control and are therefore exclusively in the area of responsibility of the user/contractor.